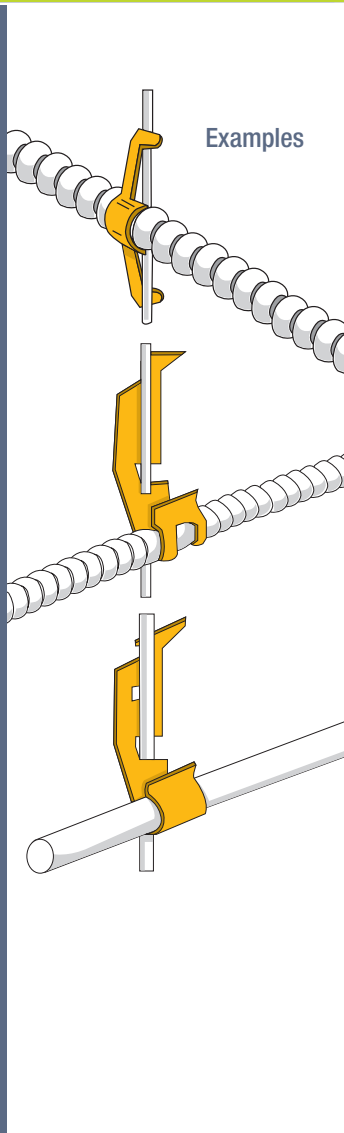


1. Independent Support Wire for Lighting Fixture
Can be used for modular wiring support.
2. Independent Support Wire for Modular Wiring
Required by code every six feet.
3. Independent Support Wire for Ceiling Grid
Should not be used to support modular wiring.



Secure and Support NEC 2011 Applicable NEC References (USA)



604.7 Installation

Manufactured wiring systems shall be secured and supported in accordance with the applicable cable or conduit article for the cable or conduit type employed.

300.11 Securing and Supporting

(A) Secured in Place. Support wires that do not provide secure support shall not be permitted as the sole support. Support wires and associated fittings that provide secure support and that are installed in addition to the ceiling grid support wires shall be permitted as the sole support. Where independent support wires are used, they shall be secured at both ends. Cables and raceways shall not be supported by ceiling grids.

(1) Non-Fire-Rated Assemblies. An independent means of secure support shall be provided and shall be permitted to be attached to the assembly. Where independent support wires are used, they shall be distinguishable by color, tagging, or other effective means.

Exception: The ceiling support system shall be permitted to support branch-circuit wiring and associated equipment where installed in accordance with the ceiling system manufacturer's instruction.

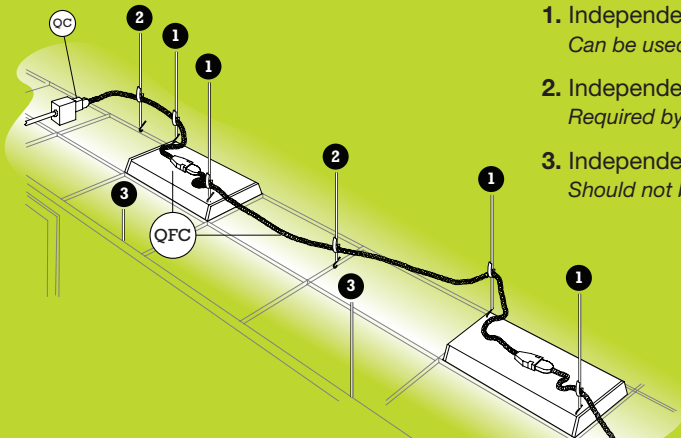
330.30 Securing and Supporting

(B) Securing. Unless otherwise provided, cables shall be secured at intervals not exceeding 6 ft. and within 12 in. of every box, cabinet, fitting, or other cable termination.

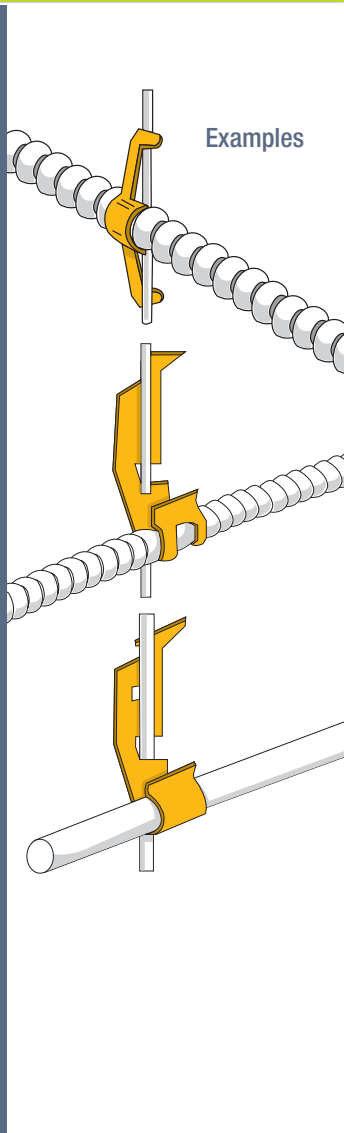
(C) Supporting. Unless otherwise provided, cables shall be supported at intervals not exceeding 6 ft.

110.12 Mechanical Execution of Work

Electrical equipment shall be installed in a neat and workman-like manner.



1. Independent Support Wire for Lighting Fixture
Can be used for modular wiring support.
2. Independent Support Wire for Modular Wiring
Required by code every six feet.
3. Independent Support Wire for Ceiling Grid
Should not be used to support modular wiring.



Examples

Secure and Support CEC 2009 Applicable Canadian Electrical Code References



12-1010(3) Maximum Spacing of Conduit Supports

When flexible metal conduit is installed, it shall be secured at intervals not exceeding 1.5 m and within 300 mm on each side of every outlet box or fitting, except where flexible metal conduit is fished and except for lengths of not over 900 mm at terminals where flexibility is necessary.

2-108 Quality of Work

The mechanical arrangement and execution of the work in connection with any electrical installation shall be acceptable.